

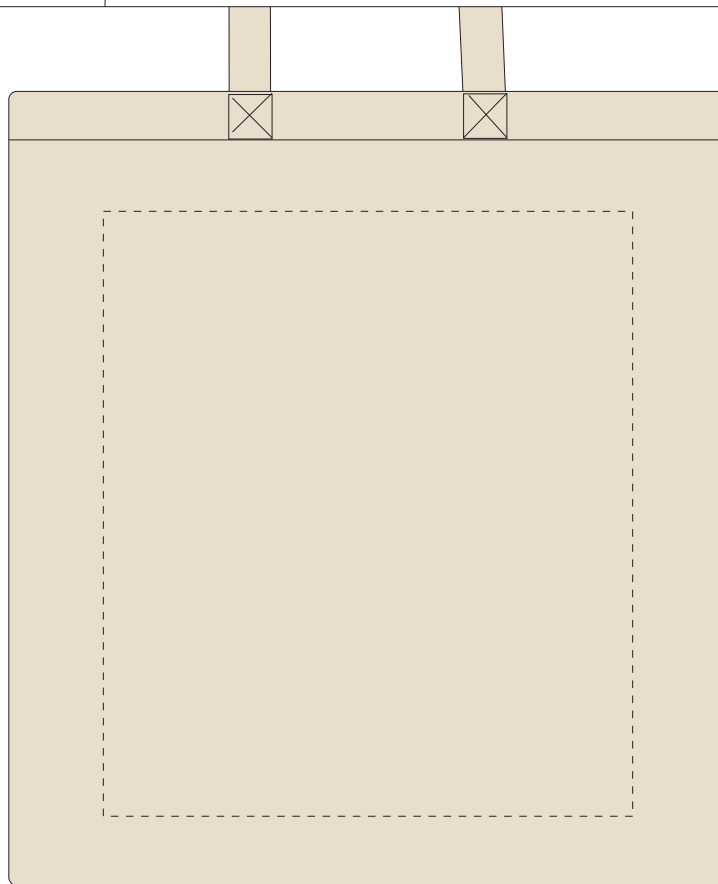
# JOB NO. XXXXXX

## RB1018S - Standard Calico Bag

<b>Product Colour/s</b> Off White	<b>Product Size</b> 380mm x 420mm no gusset	<b>Actual Print Size</b> (Please specify actual print size here)
<b>Print colour/s</b> (Please specify print colour/s here)	<b>Print Method</b> <input type="checkbox"/> Screen Print: 280mm W x 320mm H	

QTY:

PAGE 1 OF 2



**ARTWORK (25% approx.)**

**NEW/REPEAT ORDER/REDO/BACK ORDER**

**Additional Notes/Art Instructions:**

\*Special art instructions that needs to be noted shall be placed here. If none, this note must be removed.

**Disclaimer:**

Colour proofs are to be used as a guide only.  
Line drawing is for approximate print positional guide only.  
Please familiarise yourself with the product prior to approving.  
It is not intended to be an exact scale or detailed representation.  
Small details or text, including ®©™, may fill in and not be legible.  
Dotted lines will not be printed and are for maximum print guide only.  
The fine lines and details in your logo may not be able to be produced clearly.

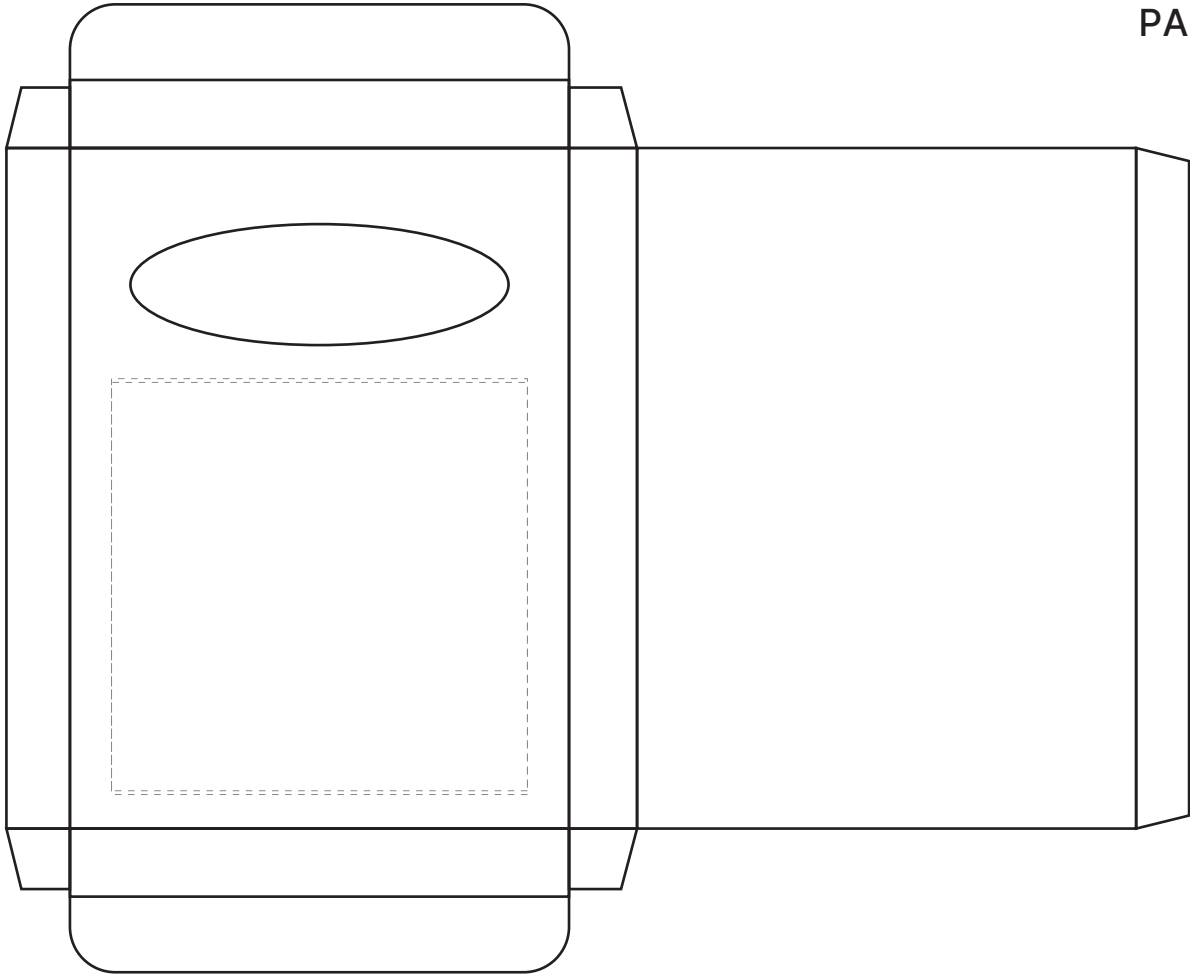
# JOB NO. XXXXXX

## NP142 - Coloured Crayons

<b>Product Colour/s</b> (Please specify product colour/s here)	<b>Product Size</b> 66mm W x 90mm L x 9mm H	<b>Actual Print Size</b> (Please specify actual print size here)
<b>Print colour/s</b> (Please specify print colour/s here)	<b>Print Method</b> <input type="checkbox"/> Screen Print: 55mm W x 55mm H <input type="checkbox"/> Direct Digital Print: 55mm W x 55mm H <input type="checkbox"/> Digital Label: 55mm W x 55mm H	

QTY:

PAGE 2 OF 2



**ARTWORK (100% approx.)**

**NEW/REPEAT ORDER/REDO/BACK ORDER**

**Additional Notes/Art Instructions:**

\*Special art instructions that needs to be noted shall be placed here. If none, this note must be removed.

**Disclaimer:**

Colour proofs are to be used as a guide only.  
Line drawing is for approximate print positional guide only.  
Please familiarise yourself with the product prior to approving.  
It is not intended to be an exact scale or detailed representation.  
Small details or text, including ®©™, may fill in and not be legible.  
Dotted lines will not be printed and are for maximum print guide only.  
The fine lines and details in your logo may not be able to be produced clearly.

# JOB NO. XXXXXX

## RB1018S - Standard Calico Bag

<b>Product Colour/s</b> Off White	<b>Product Size</b> 380mm x 420mm no gusset	<b>Actual Print Size</b> (Please specify actual print size here)
<b>Print colour/s</b> (Please specify print colour/s here)	<b>Print Method</b> <input type="checkbox"/> Screen Print: 280mm W x 320mm H	

QTY:

PAGE 1 OF 2



**ARTWORK (25% approx.)**

**NEW/REPEAT ORDER/REDO/BACK ORDER**

**Additional Notes/Art Instructions:**

\*Special art instructions that needs to be noted shall be placed here. If none, this note must be removed.

**Disclaimer:**

Colour proofs are to be used as a guide only.  
 Line drawing is for approximate print positional guide only.  
 Please familiarise yourself with the product prior to approving.  
 It is not intended to be an exact scale or detailed representation.  
 Small details or text, including ®©™, may fill in and not be legible.  
 Dotted lines will not be printed and are for maximum print guide only.  
 The fine lines and details in your logo may not be able to be produced clearly.

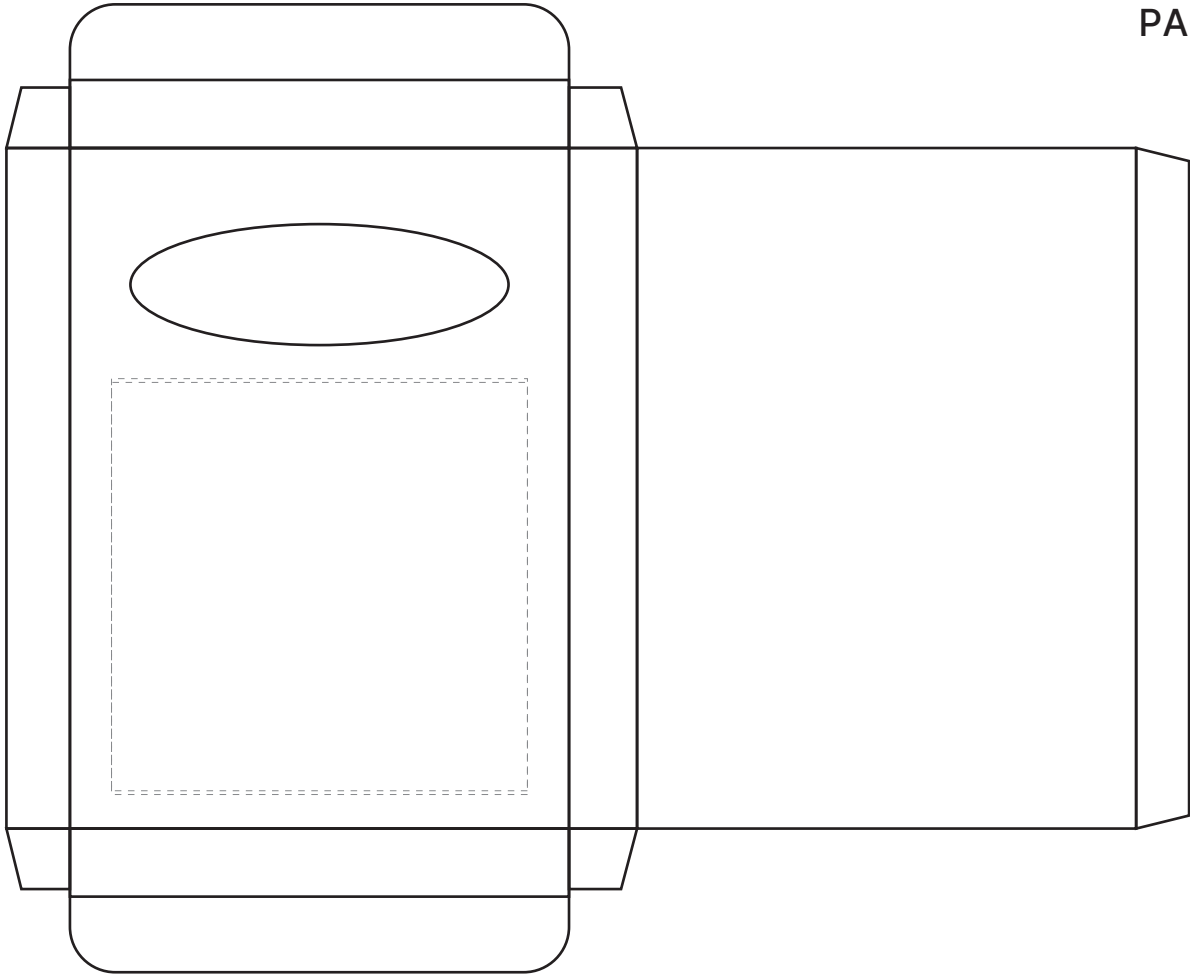
# JOB NO. XXXXXX

## NP142 - Coloured Crayons

<b>Product Colour/s</b> (Please specify product colour/s here)	<b>Product Size</b> 66mm W x 90mm L x 9mm H	<b>Actual Print Size</b> (Please specify actual print size here)
<b>Print colour/s</b> (Please specify print colour/s here)	<b>Print Method</b> <input type="checkbox"/> Screen Print: 55mm W x 55mm H <input type="checkbox"/> Direct Digital Print: 55mm W x 55mm H <input type="checkbox"/> Digital Label: 55mm W x 55mm H	

QTY:

PAGE 2 OF 2



**ARTWORK (100% approx.)**

**NEW/REPEAT ORDER/REDO/BACK ORDER**

**Additional Notes/Art Instructions:**

\*Special art instructions that needs to be noted shall be placed here. If none, this note must be removed.

**Disclaimer:**

Colour proofs are to be used as a guide only.  
Line drawing is for approximate print positional guide only.  
Please familiarise yourself with the product prior to approving.  
It is not intended to be an exact scale or detailed representation.  
Small details or text, including ®©™, may fill in and not be legible.  
Dotted lines will not be printed and are for maximum print guide only.  
The fine lines and details in your logo may not be able to be produced clearly.

# JOB NO. XXXXXX

## RB1018S - Standard Calico Bag

<b>Product Colour/s</b> Off White	<b>Product Size</b> 380mm x 420mm no gusset	<b>Actual Print Size</b> (Please specify actual print size here)
<b>Print colour/s</b> (Please specify print colour/s here)	<b>Print Method</b> <input type="checkbox"/> Screen Print: 280mm W x 320mm H	

QTY:

PAGE 1 OF 2



**ARTWORK (25% approx.)**

**NEW/REPEAT ORDER/REDO/BACK ORDER**

**Additional Notes/Art Instructions:**

\*Special art instructions that needs to be noted shall be placed here. If none, this note must be removed.

**Disclaimer:**

Colour proofs are to be used as a guide only.  
 Line drawing is for approximate print positional guide only.  
 Please familiarise yourself with the product prior to approving.  
 It is not intended to be an exact scale or detailed representation.  
 Small details or text, including ®©™, may fill in and not be legible.  
 Dotted lines will not be printed and are for maximum print guide only.  
 The fine lines and details in your logo may not be able to be produced clearly.

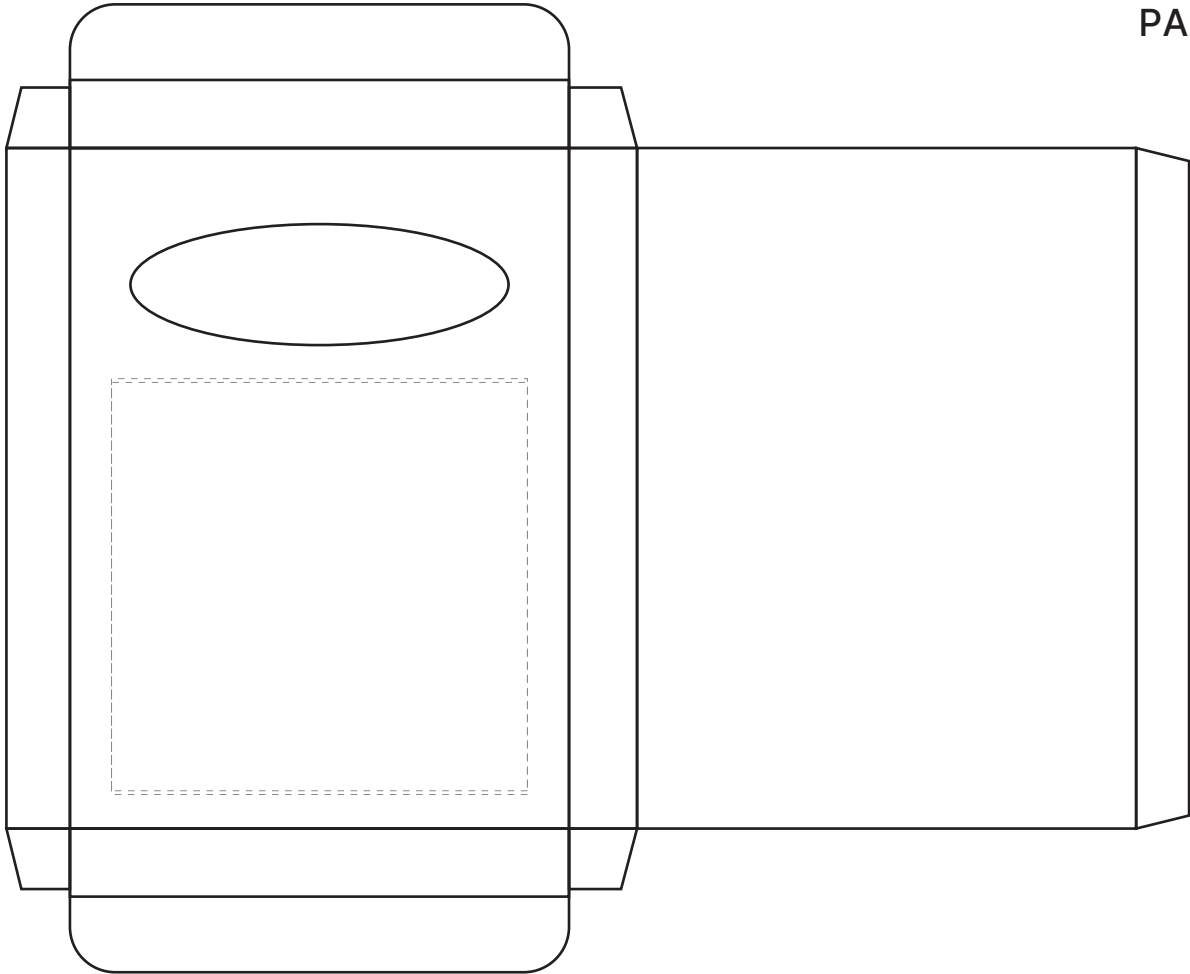
# JOB NO. XXXXXX

## NP142 - Coloured Crayons

<b>Product Colour/s</b> (Please specify product colour/s here)	<b>Product Size</b> 66mm W x 90mm L x 9mm H	<b>Actual Print Size</b> (Please specify actual print size here)
<b>Print colour/s</b> (Please specify print colour/s here)	<b>Print Method</b> <input type="checkbox"/> Screen Print: 55mm W x 55mm H <input type="checkbox"/> Direct Digital Print: 55mm W x 55mm H <input type="checkbox"/> Digital Label: 55mm W x 55mm H	

QTY:

PAGE 2 OF 2



**ARTWORK (100% approx.)**

**NEW/REPEAT ORDER/REDO/BACK ORDER**

**Additional Notes/Art Instructions:**

\*Special art instructions that needs to be noted shall be placed here. If none, this note must be removed.

**Disclaimer:**

Colour proofs are to be used as a guide only.  
Line drawing is for approximate print positional guide only.  
Please familiarise yourself with the product prior to approving.  
It is not intended to be an exact scale or detailed representation.  
Small details or text, including ®©™, may fill in and not be legible.  
Dotted lines will not be printed and are for maximum print guide only.  
The fine lines and details in your logo may not be able to be produced clearly.

# JOB NO. XXXXXX

## RB1018S - Standard Calico Bag

<b>Product Colour/s</b> Off White	<b>Product Size</b> 380mm x 420mm no gusset	<b>Actual Print Size</b> (Please specify actual print size here)
<b>Print colour/s</b> (Please specify print colour/s here)	<b>Print Method</b> <input type="checkbox"/> Screen Print: 280mm W x 320mm H	

QTY:

PAGE 1 OF 2



**ARTWORK (25% approx.)**

**NEW/REPEAT ORDER/REDO/BACK ORDER**

**Additional Notes/Art Instructions:**

\*Special art instructions that needs to be noted shall be placed here. If none, this note must be removed.

**Disclaimer:**

Colour proofs are to be used as a guide only.  
 Line drawing is for approximate print positional guide only.  
 Please familiarise yourself with the product prior to approving.  
 It is not intended to be an exact scale or detailed representation.  
 Small details or text, including ®©™, may fill in and not be legible.  
 Dotted lines will not be printed and are for maximum print guide only.  
 The fine lines and details in your logo may not be able to be produced clearly.

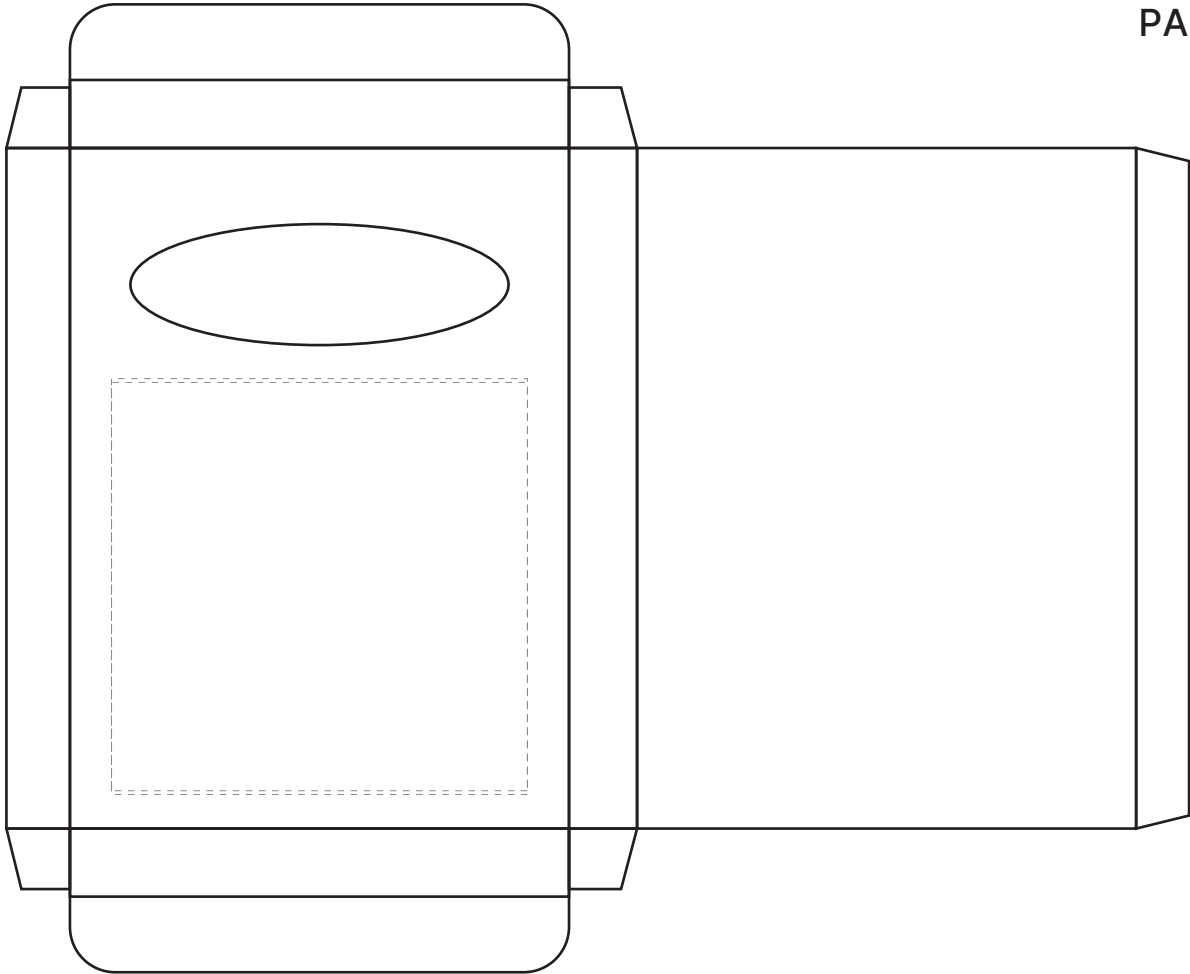
# JOB NO. XXXXXX

## NP142 - Coloured Crayons

<b>Product Colour/s</b> (Please specify product colour/s here)	<b>Product Size</b> 66mm W x 90mm L x 9mm H	<b>Actual Print Size</b> (Please specify actual print size here)
<b>Print colour/s</b> (Please specify print colour/s here)	<b>Print Method</b> <input type="checkbox"/> Screen Print: 55mm W x 55mm H <input type="checkbox"/> Direct Digital Print: 55mm W x 55mm H <input type="checkbox"/> Digital Label: 55mm W x 55mm H	

QTY:

PAGE 2 OF 2



**ARTWORK (100% approx.)**

**NEW/REPEAT ORDER/REDO/BACK ORDER**

**Additional Notes/Art Instructions:**

\*Special art instructions that needs to be noted shall be placed here. If none, this note must be removed.

**Disclaimer:**

Colour proofs are to be used as a guide only.  
Line drawing is for approximate print positional guide only.  
Please familiarise yourself with the product prior to approving.  
It is not intended to be an exact scale or detailed representation.  
Small details or text, including ®©™, may fill in and not be legible.  
Dotted lines will not be printed and are for maximum print guide only.  
The fine lines and details in your logo may not be able to be produced clearly.



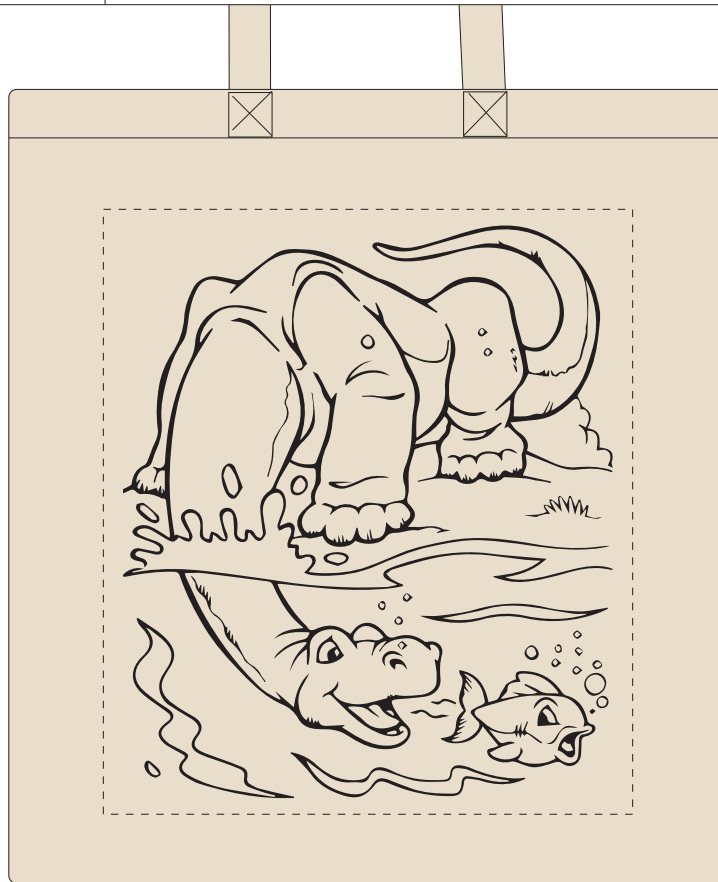
# JOB NO. XXXXXX

## RB1018S - Standard Calico Bag

<b>Product Colour/s</b> Off White	<b>Product Size</b> 380mm x 420mm no gusset	<b>Actual Print Size</b> (Please specify actual print size here)
<b>Print colour/s</b> (Please specify print colour/s here)	<b>Print Method</b> <input type="checkbox"/> Screen Print: 280mm W x 320mm H	

QTY:

PAGE 1 OF 2



**ARTWORK (25% approx.)**

**NEW/REPEAT ORDER/REDO/BACK ORDER**

**Additional Notes/Art Instructions:**

\*Special art instructions that needs to be noted shall be placed here. If none, this note must be removed.

**Disclaimer:**

Colour proofs are to be used as a guide only.  
Line drawing is for approximate print positional guide only.  
Please familiarise yourself with the product prior to approving.  
It is not intended to be an exact scale or detailed representation.  
Small details or text, including ®©™, may fill in and not be legible.  
Dotted lines will not be printed and are for maximum print guide only.  
The fine lines and details in your logo may not be able to be produced clearly.

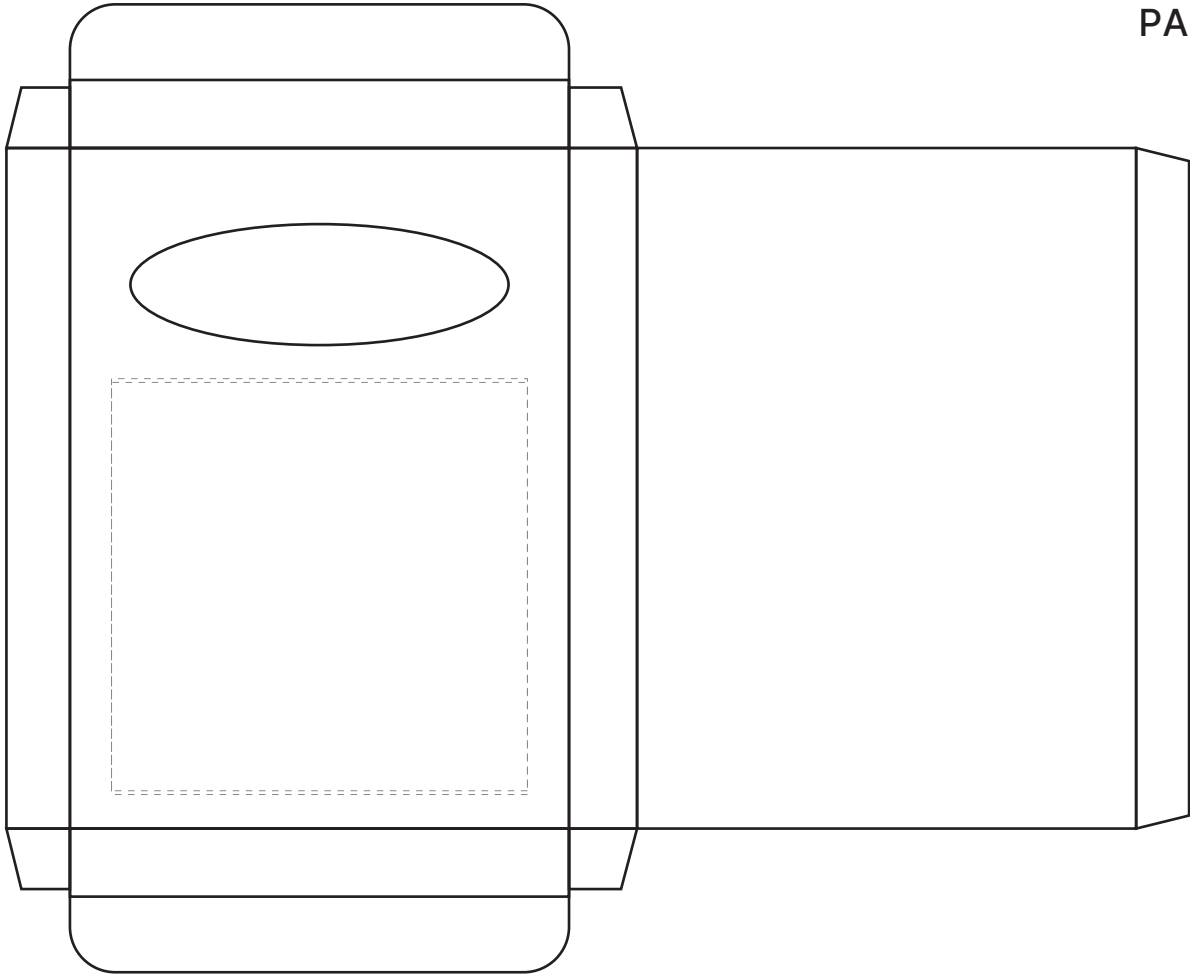
# JOB NO. XXXXXX

## NP142 - Coloured Crayons

<b>Product Colour/s</b> (Please specify product colour/s here)	<b>Product Size</b> 66mm W x 90mm L x 9mm H	<b>Actual Print Size</b> (Please specify actual print size here)
<b>Print colour/s</b> (Please specify print colour/s here)	<b>Print Method</b> <input type="checkbox"/> Screen Print: 55mm W x 55mm H <input type="checkbox"/> Direct Digital Print: 55mm W x 55mm H <input type="checkbox"/> Digital Label: 55mm W x 55mm H	

QTY:

PAGE 2 OF 2



**ARTWORK (100% approx.)**

**NEW/REPEAT ORDER/REDO/BACK ORDER**

**Additional Notes/Art Instructions:**

\*Special art instructions that needs to be noted shall be placed here. If none, this note must be removed.

**Disclaimer:**

Colour proofs are to be used as a guide only.  
Line drawing is for approximate print positional guide only.  
Please familiarise yourself with the product prior to approving.  
It is not intended to be an exact scale or detailed representation.  
Small details or text, including ®©™, may fill in and not be legible.  
Dotted lines will not be printed and are for maximum print guide only.  
The fine lines and details in your logo may not be able to be produced clearly.

# JOB NO. XXXXXX

## RB1018S - Standard Calico Bag

<b>Product Colour/s</b> Off White	<b>Product Size</b> 380mm x 420mm no gusset	<b>Actual Print Size</b> (Please specify actual print size here)
<b>Print colour/s</b> (Please specify print colour/s here)	<b>Print Method</b> <input type="checkbox"/> Screen Print: 280mm W x 320mm H	

QTY:

PAGE 1 OF 2



**ARTWORK (25% approx.)**

**NEW/REPEAT ORDER/REDO/BACK ORDER**

**Additional Notes/Art Instructions:**

\*Special art instructions that needs to be noted shall be placed here. If none, this note must be removed.

**Disclaimer:**

Colour proofs are to be used as a guide only.  
Line drawing is for approximate print positional guide only.  
Please familiarise yourself with the product prior to approving.  
It is not intended to be an exact scale or detailed representation.  
Small details or text, including ®©™, may fill in and not be legible.  
Dotted lines will not be printed and are for maximum print guide only.  
The fine lines and details in your logo may not be able to be produced clearly.

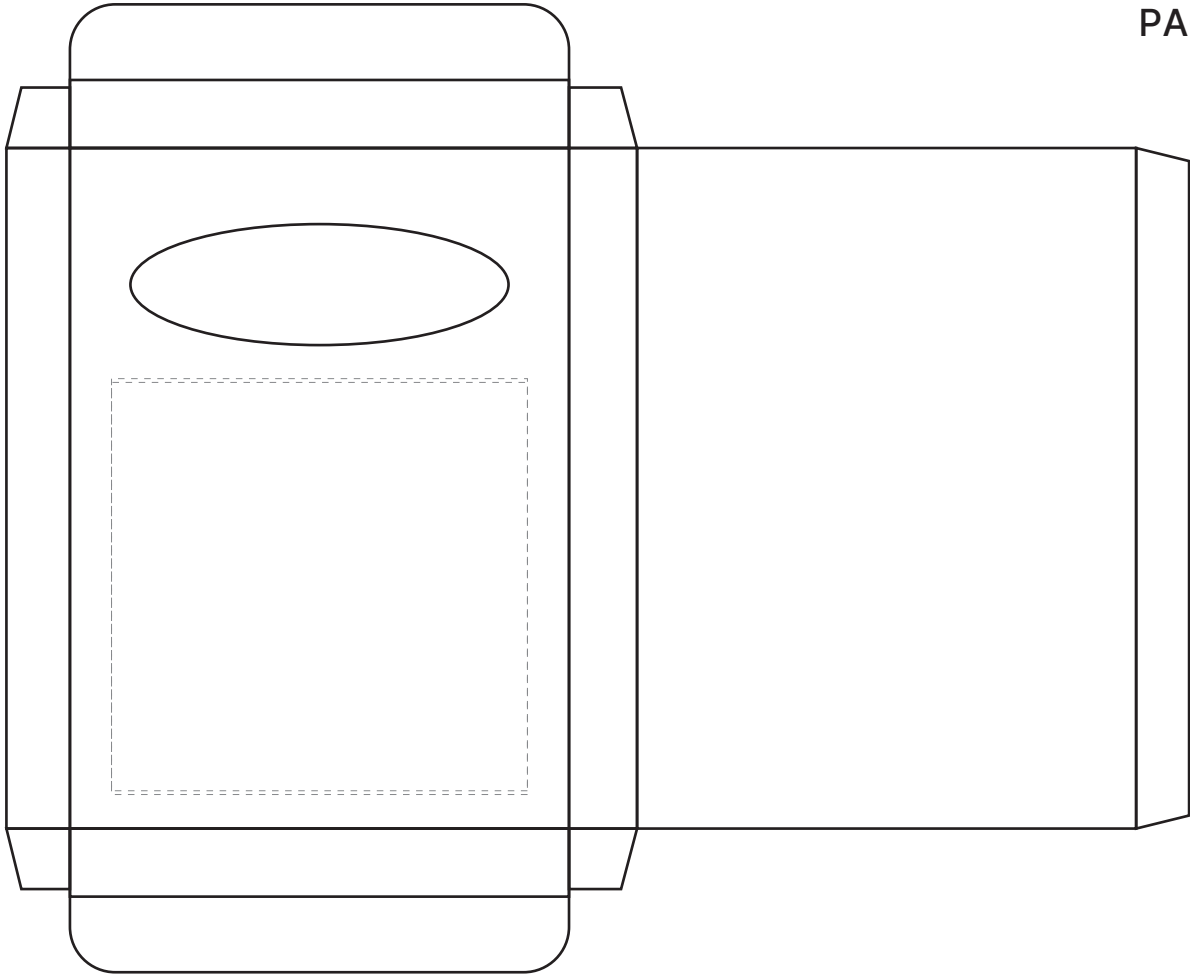
# JOB NO. XXXXXX

## NP142 - Coloured Crayons

<b>Product Colour/s</b> (Please specify product colour/s here)	<b>Product Size</b> 66mm W x 90mm L x 9mm H	<b>Actual Print Size</b> (Please specify actual print size here)
<b>Print colour/s</b> (Please specify print colour/s here)	<b>Print Method</b> <input type="checkbox"/> Screen Print: 55mm W x 55mm H <input type="checkbox"/> Direct Digital Print: 55mm W x 55mm H <input type="checkbox"/> Digital Label: 55mm W x 55mm H	

QTY:

PAGE 2 OF 2



**ARTWORK (100% approx.)**

**NEW/REPEAT ORDER/REDO/BACK ORDER**

**Additional Notes/Art Instructions:**

\*Special art instructions that needs to be noted shall be placed here. If none, this note must be removed.

**Disclaimer:**

Colour proofs are to be used as a guide only.  
Line drawing is for approximate print positional guide only.  
Please familiarise yourself with the product prior to approving.  
It is not intended to be an exact scale or detailed representation.  
Small details or text, including ®©™, may fill in and not be legible.  
Dotted lines will not be printed and are for maximum print guide only.  
The fine lines and details in your logo may not be able to be produced clearly.

# JOB NO. XXXXXX

## RB1018S - Standard Calico Bag

<b>Product Colour/s</b> Off White	<b>Product Size</b> 380mm x 420mm no gusset	<b>Actual Print Size</b> (Please specify actual print size here)
<b>Print colour/s</b> (Please specify print colour/s here)	<b>Print Method</b> <input type="checkbox"/> Screen Print: 280mm W x 320mm H	

QTY:

PAGE 1 OF 2



**ARTWORK (25% approx.)**

**NEW/REPEAT ORDER/REDO/BACK ORDER**

**Additional Notes/Art Instructions:**

\*Special art instructions that needs to be noted shall be placed here. If none, this note must be removed.

**Disclaimer:**

Colour proofs are to be used as a guide only.  
Line drawing is for approximate print positional guide only.  
Please familiarise yourself with the product prior to approving.  
It is not intended to be an exact scale or detailed representation.  
Small details or text, including ®©™, may fill in and not be legible.  
Dotted lines will not be printed and are for maximum print guide only.  
The fine lines and details in your logo may not be able to be produced clearly.

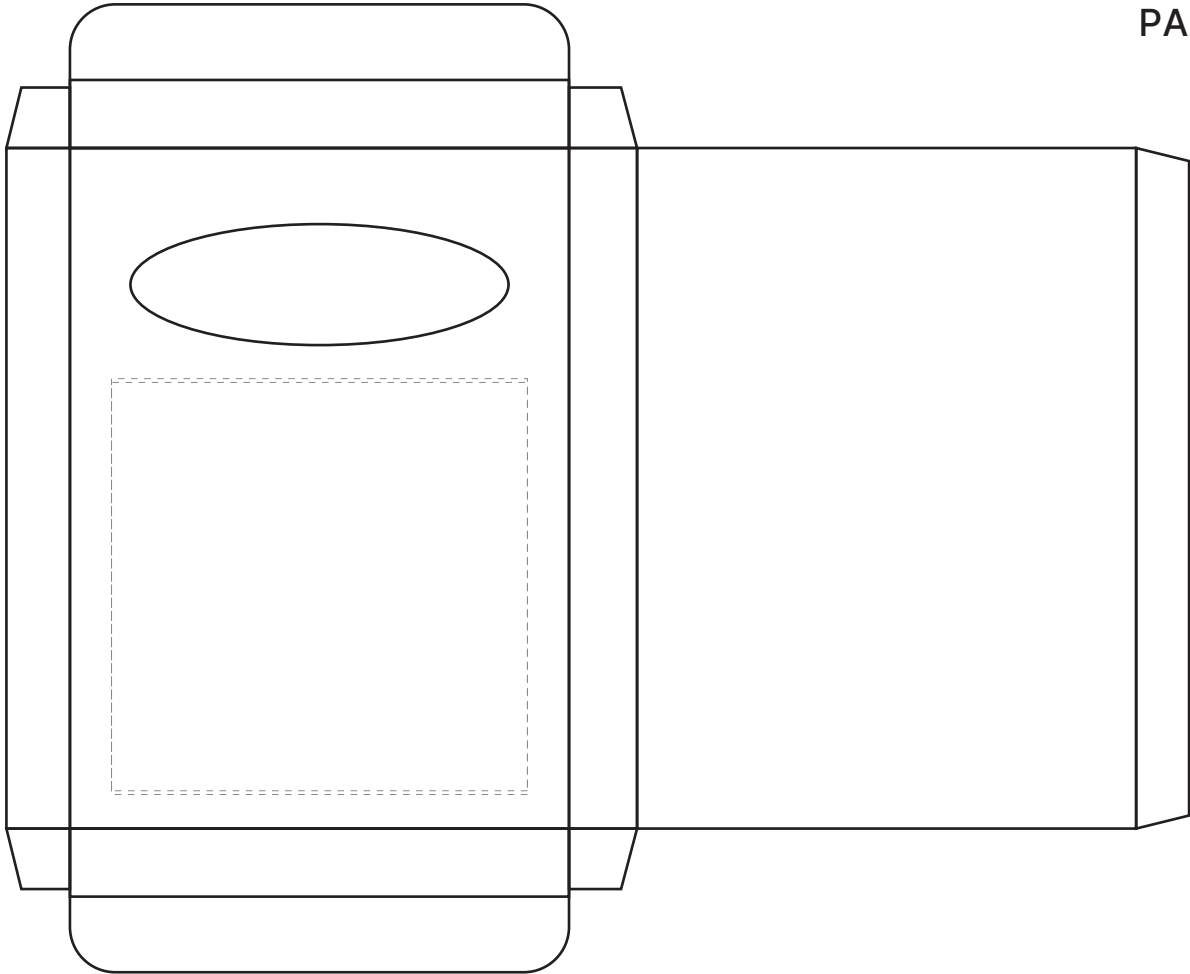
# JOB NO. XXXXXX

## NP142 - Coloured Crayons

<b>Product Colour/s</b> (Please specify product colour/s here)	<b>Product Size</b> 66mm W x 90mm L x 9mm H	<b>Actual Print Size</b> (Please specify actual print size here)
<b>Print colour/s</b> (Please specify print colour/s here)	<b>Print Method</b> <input type="checkbox"/> Screen Print: 55mm W x 55mm H <input type="checkbox"/> Direct Digital Print: 55mm W x 55mm H <input type="checkbox"/> Digital Label: 55mm W x 55mm H	

QTY:

PAGE 2 OF 2



**ARTWORK (100% approx.)**

**NEW/REPEAT ORDER/REDO/BACK ORDER**

**Additional Notes/Art Instructions:**

\*Special art instructions that needs to be noted shall be placed here. If none, this note must be removed.

**Disclaimer:**

Colour proofs are to be used as a guide only.  
Line drawing is for approximate print positional guide only.  
Please familiarise yourself with the product prior to approving.  
It is not intended to be an exact scale or detailed representation.  
Small details or text, including ®©™, may fill in and not be legible.  
Dotted lines will not be printed and are for maximum print guide only.  
The fine lines and details in your logo may not be able to be produced clearly.

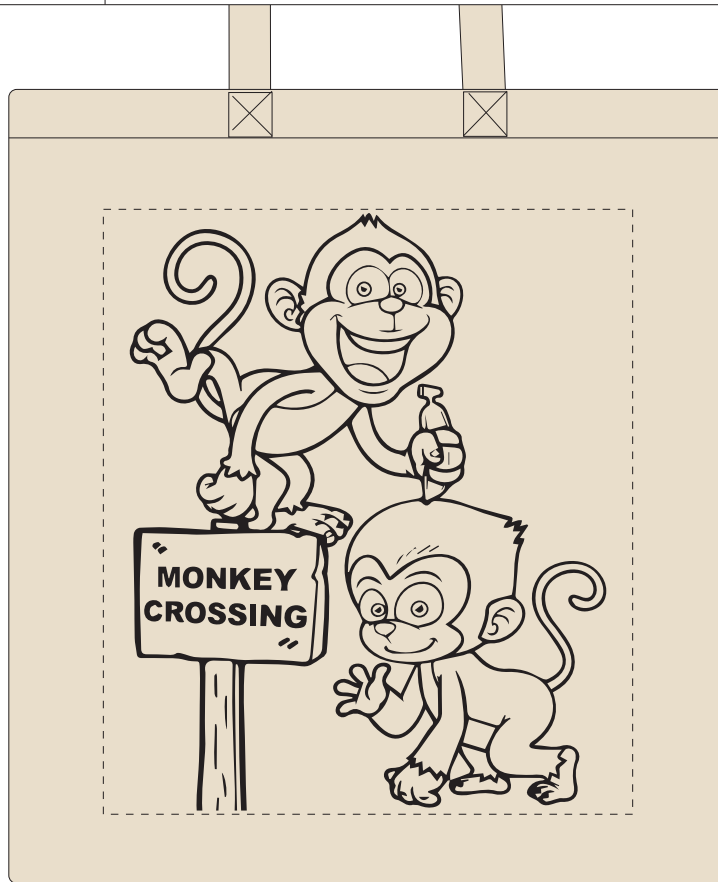
# JOB NO. XXXXXX

## RB1018S - Standard Calico Bag

<b>Product Colour/s</b> Off White	<b>Product Size</b> 380mm x 420mm no gusset	<b>Actual Print Size</b> (Please specify actual print size here)
<b>Print colour/s</b> (Please specify print colour/s here)	<b>Print Method</b> <input type="checkbox"/> Screen Print: 280mm W x 320mm H	

QTY:

PAGE 1 OF 2



**ARTWORK (25% approx.)**

**NEW/REPEAT ORDER/REDO/BACK ORDER**

### Additional Notes/Art Instructions:

\*Special art instructions that needs to be noted shall be placed here. If none, this note must be removed.

### Disclaimer:

Colour proofs are to be used as a guide only.  
Line drawing is for approximate print positional guide only.  
Please familiarise yourself with the product prior to approving.  
It is not intended to be an exact scale or detailed representation.  
Small details or text, including ®©™, may fill in and not be legible.  
Dotted lines will not be printed and are for maximum print guide only.  
The fine lines and details in your logo may not be able to be produced clearly.

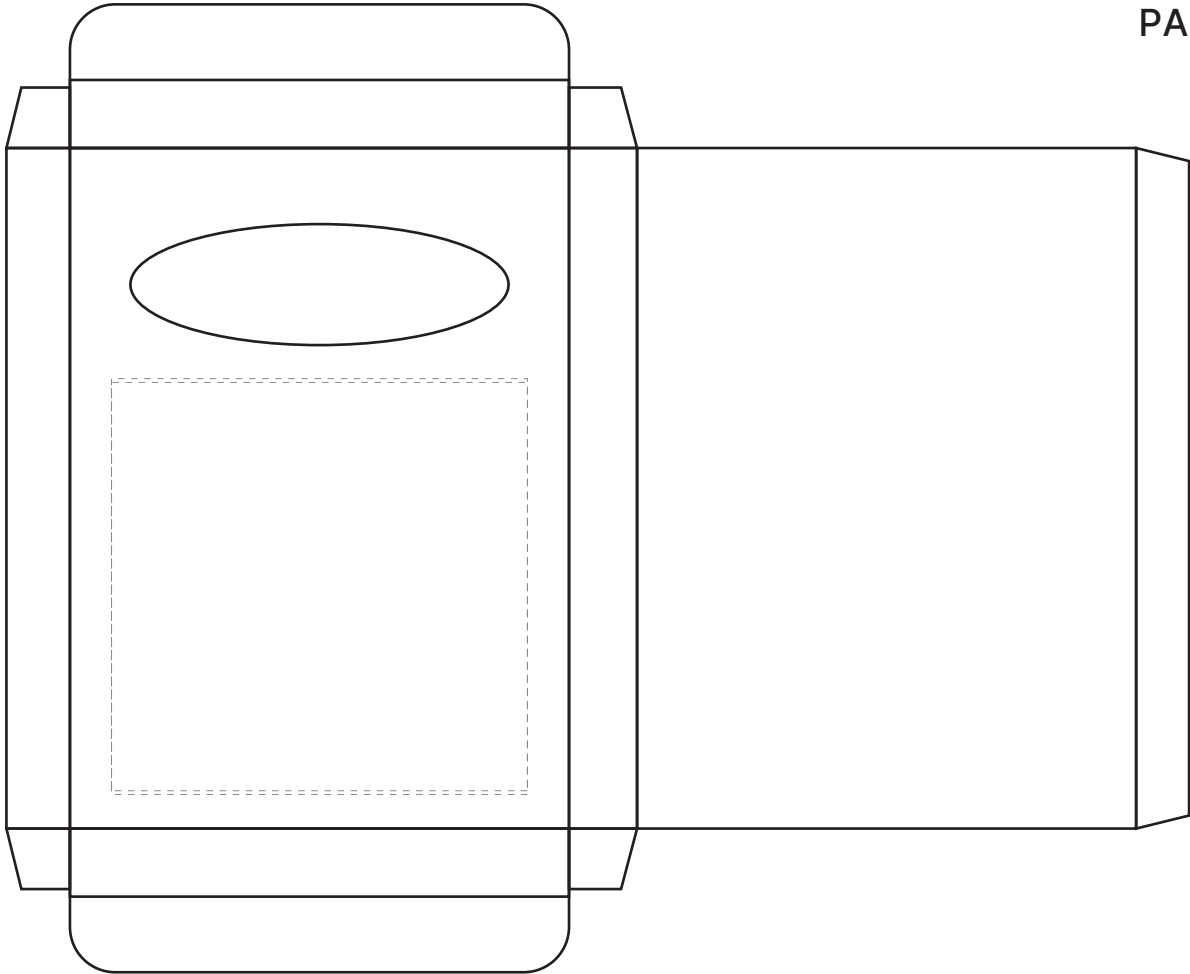
# JOB NO. XXXXXX

## NP142 - Coloured Crayons

<b>Product Colour/s</b> (Please specify product colour/s here)	<b>Product Size</b> 66mm W x 90mm L x 9mm H	<b>Actual Print Size</b> (Please specify actual print size here)
<b>Print colour/s</b> (Please specify print colour/s here)	<b>Print Method</b> <input type="checkbox"/> Screen Print: 55mm W x 55mm H <input type="checkbox"/> Direct Digital Print: 55mm W x 55mm H <input type="checkbox"/> Digital Label: 55mm W x 55mm H	

QTY:

PAGE 2 OF 2



**ARTWORK (100% approx.)**

**NEW/REPEAT ORDER/REDO/BACK ORDER**

**Additional Notes/Art Instructions:**

\*Special art instructions that needs to be noted shall be placed here. If none, this note must be removed.

**Disclaimer:**

Colour proofs are to be used as a guide only.  
Line drawing is for approximate print positional guide only.  
Please familiarise yourself with the product prior to approving.  
It is not intended to be an exact scale or detailed representation.  
Small details or text, including ®©™, may fill in and not be legible.  
Dotted lines will not be printed and are for maximum print guide only.  
The fine lines and details in your logo may not be able to be produced clearly.



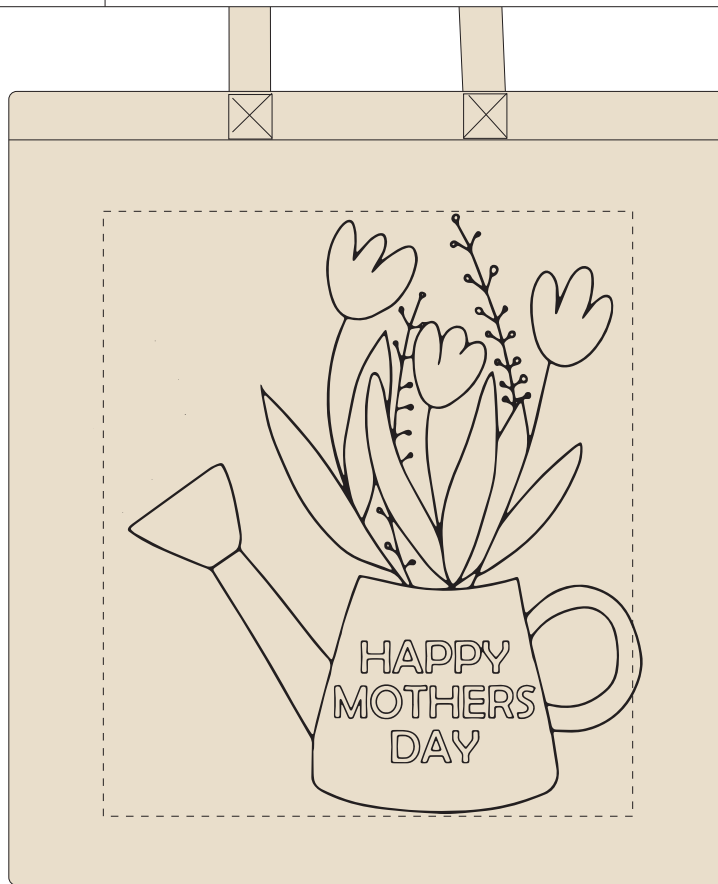
# JOB NO. XXXXXX

## RB1018S - Standard Calico Bag

<b>Product Colour/s</b> Off White	<b>Product Size</b> 380mm x 420mm no gusset	<b>Actual Print Size</b> (Please specify actual print size here)
<b>Print colour/s</b> (Please specify print colour/s here)	<b>Print Method</b> <input type="checkbox"/> Screen Print: 280mm W x 320mm H	

QTY:

PAGE 1 OF 2



**ARTWORK (25% approx.)**

**NEW/REPEAT ORDER/REDO/BACK ORDER**

**Additional Notes/Art Instructions:**

\*Special art instructions that needs to be noted shall be placed here. If none, this note must be removed.

**Disclaimer:**

Colour proofs are to be used as a guide only.  
 Line drawing is for approximate print positional guide only.  
 Please familiarise yourself with the product prior to approving.  
 It is not intended to be an exact scale or detailed representation.  
 Small details or text, including ®©™, may fill in and not be legible.  
 Dotted lines will not be printed and are for maximum print guide only.  
 The fine lines and details in your logo may not be able to be produced clearly.

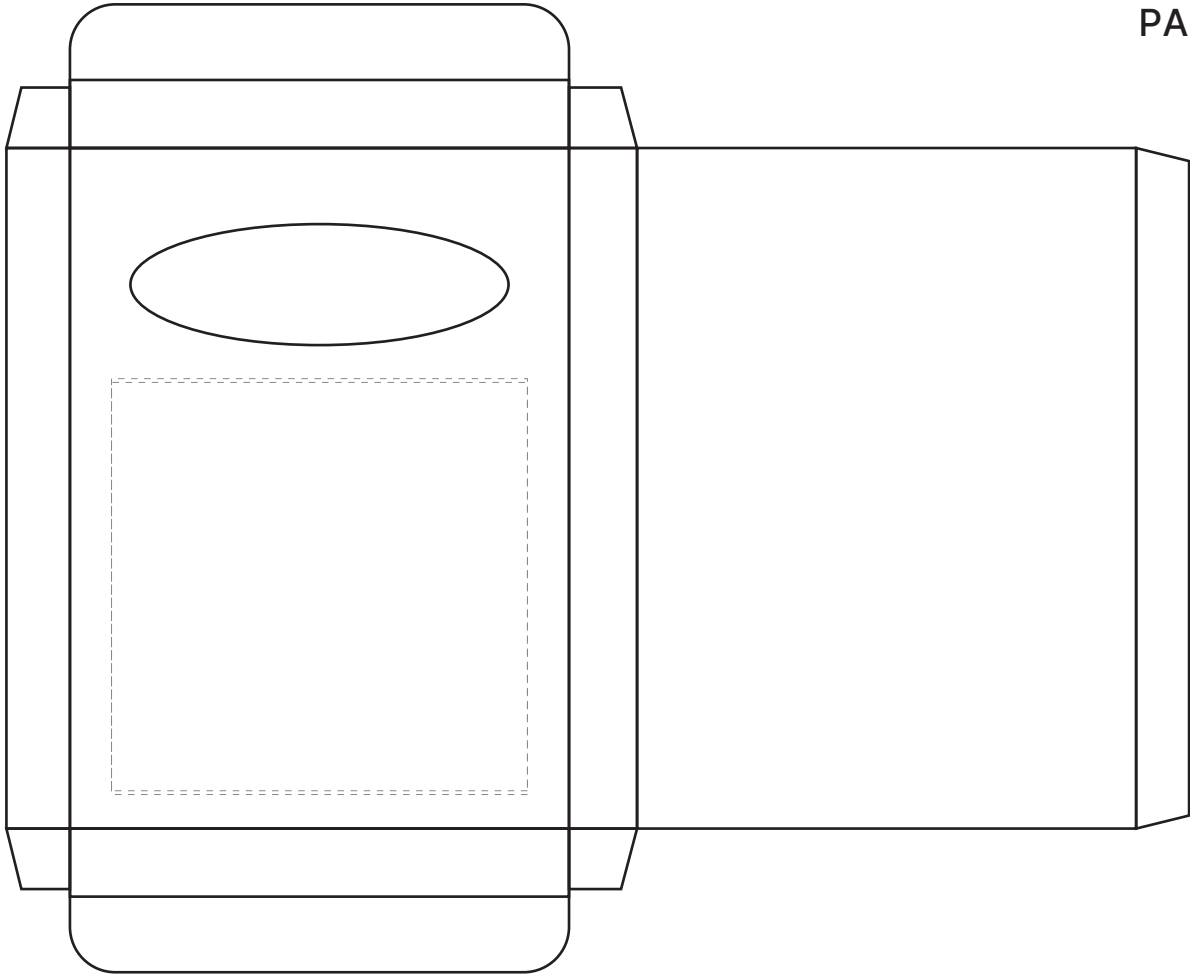
# JOB NO. XXXXXX

## NP142 - Coloured Crayons

<b>Product Colour/s</b> (Please specify product colour/s here)	<b>Product Size</b> 66mm W x 90mm L x 9mm H	<b>Actual Print Size</b> (Please specify actual print size here)
<b>Print colour/s</b> (Please specify print colour/s here)	<b>Print Method</b> <input type="checkbox"/> Screen Print: 55mm W x 55mm H <input type="checkbox"/> Direct Digital Print: 55mm W x 55mm H <input type="checkbox"/> Digital Label: 55mm W x 55mm H	

QTY:

PAGE 2 OF 2



**ARTWORK (100% approx.)**

**NEW/REPEAT ORDER/REDO/BACK ORDER**

**Additional Notes/Art Instructions:**

\*Special art instructions that needs to be noted shall be placed here. If none, this note must be removed.

**Disclaimer:**

Colour proofs are to be used as a guide only.  
Line drawing is for approximate print positional guide only.  
Please familiarise yourself with the product prior to approving.  
It is not intended to be an exact scale or detailed representation.  
Small details or text, including ®©™, may fill in and not be legible.  
Dotted lines will not be printed and are for maximum print guide only.  
The fine lines and details in your logo may not be able to be produced clearly.

# JOB NO. XXXXXX

## RB1018S - Standard Calico Bag

<b>Product Colour/s</b> Off White	<b>Product Size</b> 380mm x 420mm no gusset	<b>Actual Print Size</b> (Please specify actual print size here)
<b>Print colour/s</b> (Please specify print colour/s here)	<b>Print Method</b> <input type="checkbox"/> Screen Print: 280mm W x 320mm H	

QTY:

PAGE 1 OF 2



**ARTWORK (25% approx.)**

**NEW/REPEAT ORDER/REDO/BACK ORDER**

**Additional Notes/Art Instructions:**

\*Special art instructions that needs to be noted shall be placed here. If none, this note must be removed.

**Disclaimer:**

Colour proofs are to be used as a guide only.  
 Line drawing is for approximate print positional guide only.  
 Please familiarise yourself with the product prior to approving.  
 It is not intended to be an exact scale or detailed representation.  
 Small details or text, including ®©™, may fill in and not be legible.  
 Dotted lines will not be printed and are for maximum print guide only.  
 The fine lines and details in your logo may not be able to be produced clearly.

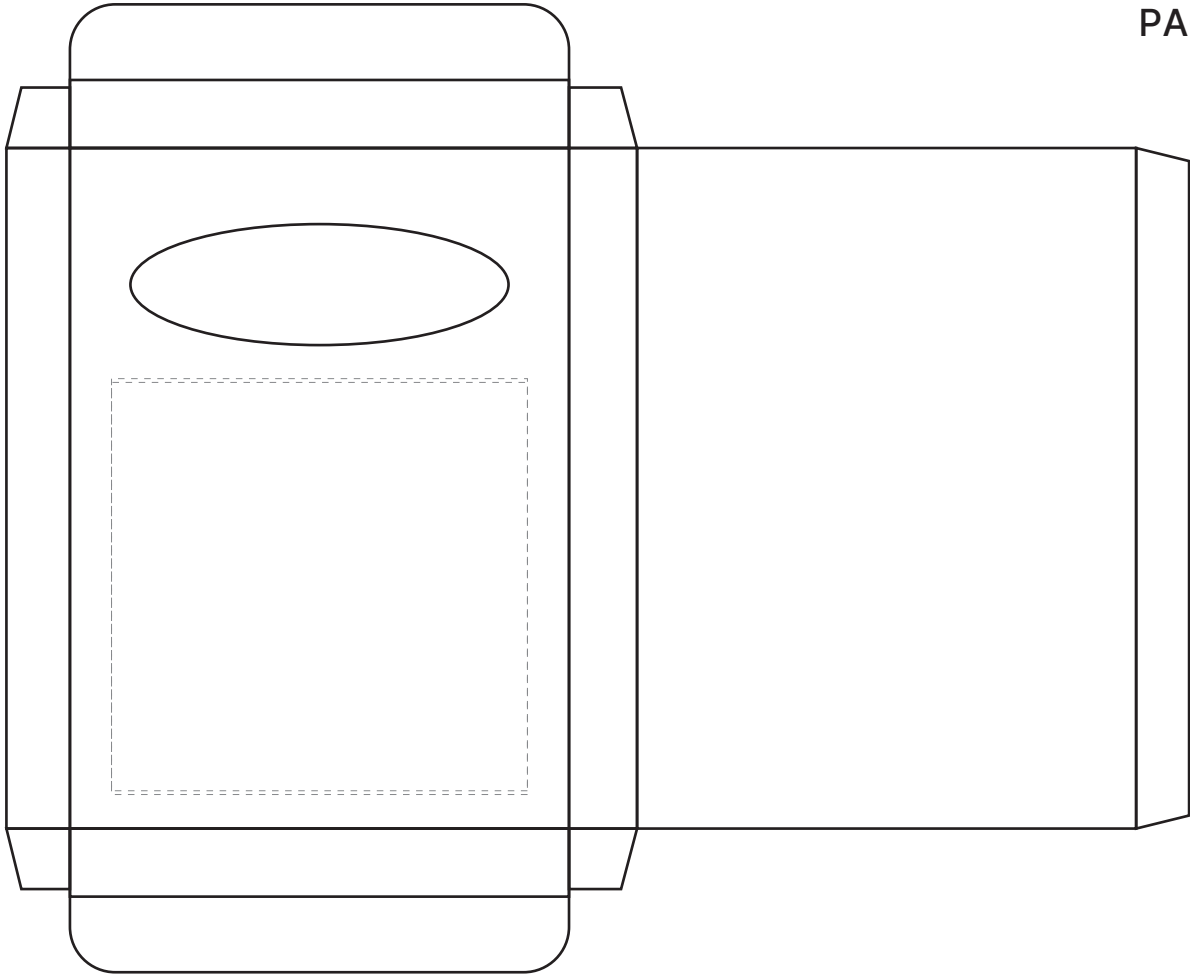
# JOB NO. XXXXXX

## NP142 - Coloured Crayons

<b>Product Colour/s</b> (Please specify product colour/s here)	<b>Product Size</b> 66mm W x 90mm L x 9mm H	<b>Actual Print Size</b> (Please specify actual print size here)
<b>Print colour/s</b> (Please specify print colour/s here)	<b>Print Method</b> <input type="checkbox"/> Screen Print: 55mm W x 55mm H <input type="checkbox"/> Direct Digital Print: 55mm W x 55mm H <input type="checkbox"/> Digital Label: 55mm W x 55mm H	

QTY:

PAGE 2 OF 2



**ARTWORK (100% approx.)**

**NEW/REPEAT ORDER/REDO/BACK ORDER**

**Additional Notes/Art Instructions:**

\*Special art instructions that needs to be noted shall be placed here. If none, this note must be removed.

**Disclaimer:**

Colour proofs are to be used as a guide only.  
Line drawing is for approximate print positional guide only.  
Please familiarise yourself with the product prior to approving.  
It is not intended to be an exact scale or detailed representation.  
Small details or text, including ®©™, may fill in and not be legible.  
Dotted lines will not be printed and are for maximum print guide only.  
The fine lines and details in your logo may not be able to be produced clearly.

# JOB NO. XXXXXX

## RB1018S - Standard Calico Bag

<b>Product Colour/s</b> Off White	<b>Product Size</b> 380mm x 420mm no gusset	<b>Actual Print Size</b> (Please specify actual print size here)
<b>Print colour/s</b> (Please specify print colour/s here)	<b>Print Method</b> <input type="checkbox"/> Screen Print: 280mm W x 320mm H	

QTY:

PAGE 1 OF 2



**ARTWORK (25% approx.)**

**NEW/REPEAT ORDER/REDO/BACK ORDER**

### Additional Notes/Art Instructions:

\*Special art instructions that needs to be noted shall be placed here. If none, this note must be removed.

### Disclaimer:

Colour proofs are to be used as a guide only.  
Line drawing is for approximate print positional guide only.  
Please familiarise yourself with the product prior to approving.  
It is not intended to be an exact scale or detailed representation.  
Small details or text, including ®©™, may fill in and not be legible.  
Dotted lines will not be printed and are for maximum print guide only.  
The fine lines and details in your logo may not be able to be produced clearly.

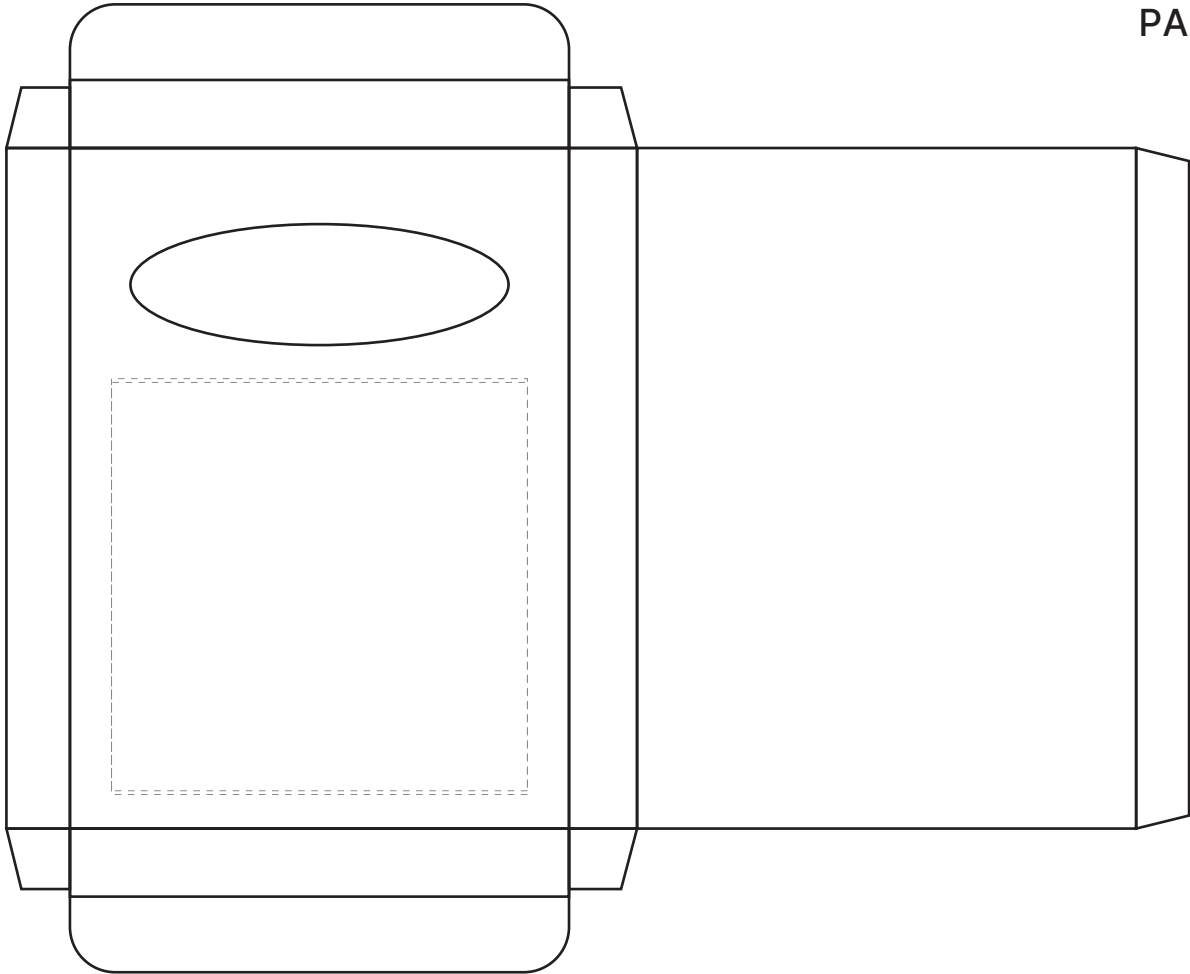
# JOB NO. XXXXXX

## NP142 - Coloured Crayons

<b>Product Colour/s</b> (Please specify product colour/s here)	<b>Product Size</b> 66mm W x 90mm L x 9mm H	<b>Actual Print Size</b> (Please specify actual print size here)
<b>Print colour/s</b> (Please specify print colour/s here)	<b>Print Method</b> <input type="checkbox"/> Screen Print: 55mm W x 55mm H <input type="checkbox"/> Direct Digital Print: 55mm W x 55mm H <input type="checkbox"/> Digital Label: 55mm W x 55mm H	

QTY:

PAGE 2 OF 2



**ARTWORK (100% approx.)**

**NEW/REPEAT ORDER/REDO/BACK ORDER**

**Additional Notes/Art Instructions:**

\*Special art instructions that needs to be noted shall be placed here. If none, this note must be removed.

**Disclaimer:**

Colour proofs are to be used as a guide only.  
Line drawing is for approximate print positional guide only.  
Please familiarise yourself with the product prior to approving.  
It is not intended to be an exact scale or detailed representation.  
Small details or text, including ®©™, may fill in and not be legible.  
Dotted lines will not be printed and are for maximum print guide only.  
The fine lines and details in your logo may not be able to be produced clearly.

# JOB NO. XXXXXX

## RB1018S - Standard Calico Bag

<b>Product Colour/s</b> Off White	<b>Product Size</b> 380mm x 420mm no gusset	<b>Actual Print Size</b> (Please specify actual print size here)
<b>Print colour/s</b> (Please specify print colour/s here)	<b>Print Method</b> <input type="checkbox"/> Screen Print: 280mm W x 320mm H	

QTY:

PAGE 1 OF 2



**ARTWORK (25% approx.)**

**NEW/REPEAT ORDER/REDO/BACK ORDER**

**Additional Notes/Art Instructions:**

\*Special art instructions that needs to be noted shall be placed here. If none, this note must be removed.

**Disclaimer:**

Colour proofs are to be used as a guide only.  
 Line drawing is for approximate print positional guide only.  
 Please familiarise yourself with the product prior to approving.  
 It is not intended to be an exact scale or detailed representation.  
 Small details or text, including ®©™, may fill in and not be legible.  
 Dotted lines will not be printed and are for maximum print guide only.  
 The fine lines and details in your logo may not be able to be produced clearly.

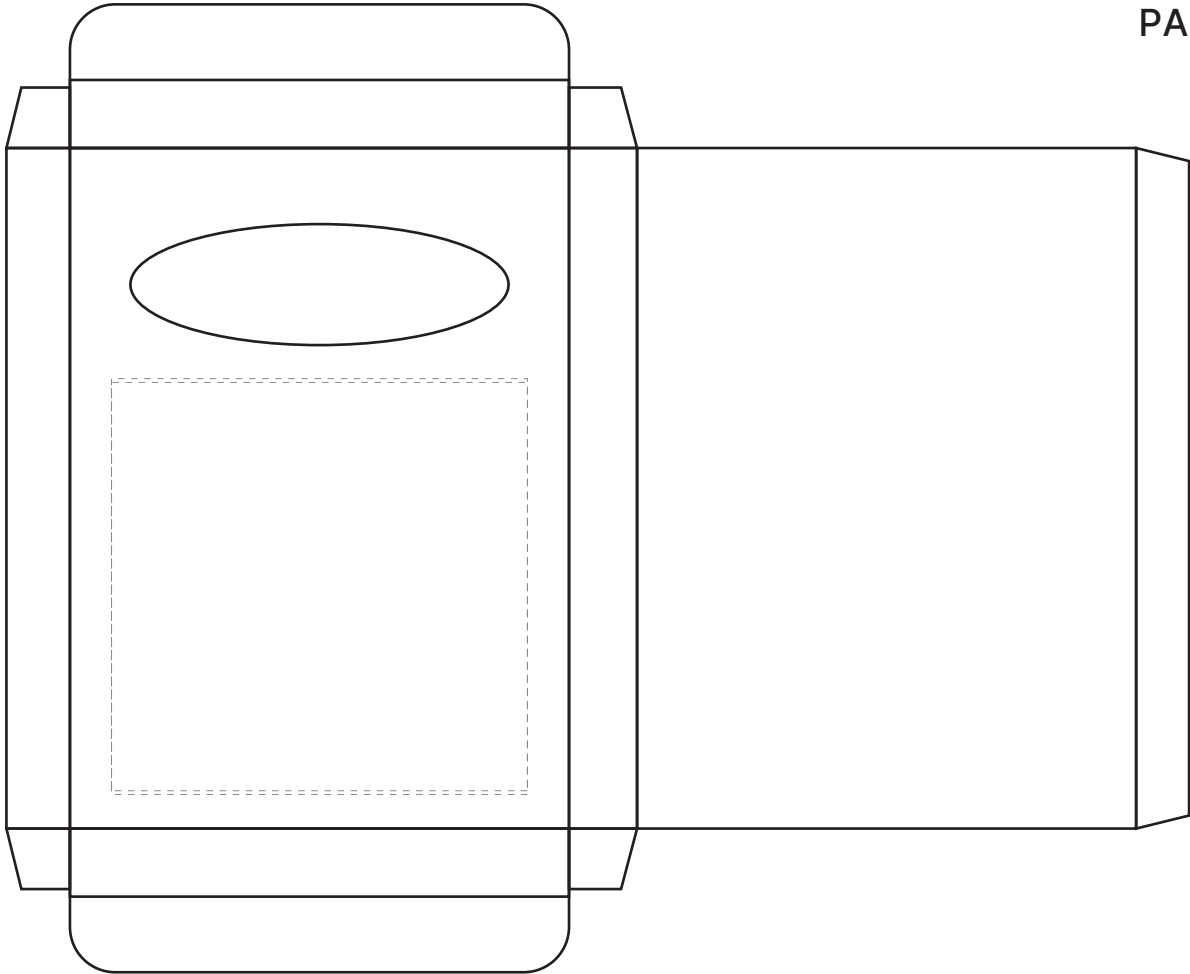
# JOB NO. XXXXXX

## NP142 - Coloured Crayons

<b>Product Colour/s</b> (Please specify product colour/s here)	<b>Product Size</b> 66mm W x 90mm L x 9mm H	<b>Actual Print Size</b> (Please specify actual print size here)
<b>Print colour/s</b> (Please specify print colour/s here)	<b>Print Method</b> <input type="checkbox"/> Screen Print: 55mm W x 55mm H <input type="checkbox"/> Direct Digital Print: 55mm W x 55mm H <input type="checkbox"/> Digital Label: 55mm W x 55mm H	

QTY:

PAGE 2 OF 2



**ARTWORK (100% approx.)**

**NEW/REPEAT ORDER/REDO/BACK ORDER**

**Additional Notes/Art Instructions:**

\*Special art instructions that needs to be noted shall be placed here. If none, this note must be removed.

**Disclaimer:**

Colour proofs are to be used as a guide only.  
Line drawing is for approximate print positional guide only.  
Please familiarise yourself with the product prior to approving.  
It is not intended to be an exact scale or detailed representation.  
Small details or text, including ®©™, may fill in and not be legible.  
Dotted lines will not be printed and are for maximum print guide only.  
The fine lines and details in your logo may not be able to be produced clearly.